

## FPD Parts ID

---

### Filter Detector Module

**Table 49-1. Detector Module Parts**

Item	Description	Part Number
1	Board Clamp	79880-01202
2	FDP Board	79881-66503
3	ADA Board	79881-66502
4	ADA Cable Assembly	79881-61602
5	Grommet	0400-0011
6	Heat Sink	01090-21102
7	Rear Panel FPD	01090-00210
8	Filter	01090-07101
	Fuse F31 on DPS, 8A	2110-0342
	Fuse F33 on DPS, 1A	2110-0001
9	Capacitor DPS Assembly	79880-66510
	Capacitor 2000 $\mu$ F/200V	0180-0653
	Resistor 15K/5%	0698-3647
10	FMB Board	79881-66501
11	DPS Board	79883-66501
12	Cover DPS Board	79880-04103
	Guide PC	79881-03101
	Guide PC	0403-0302
	Guide PC	0403-0102
	Screw Housing M3 $\times$ 0.5 6lg	0515-0897
	Screw Motherboard M3 $\times$ 0.6 16lg	0515-1111
	Screw Foot Optical Unit M4 $\times$ 0.7 6lg	0515-0898
	Cable FDP-CTM	01090-61613

# Filter Photometric Detector

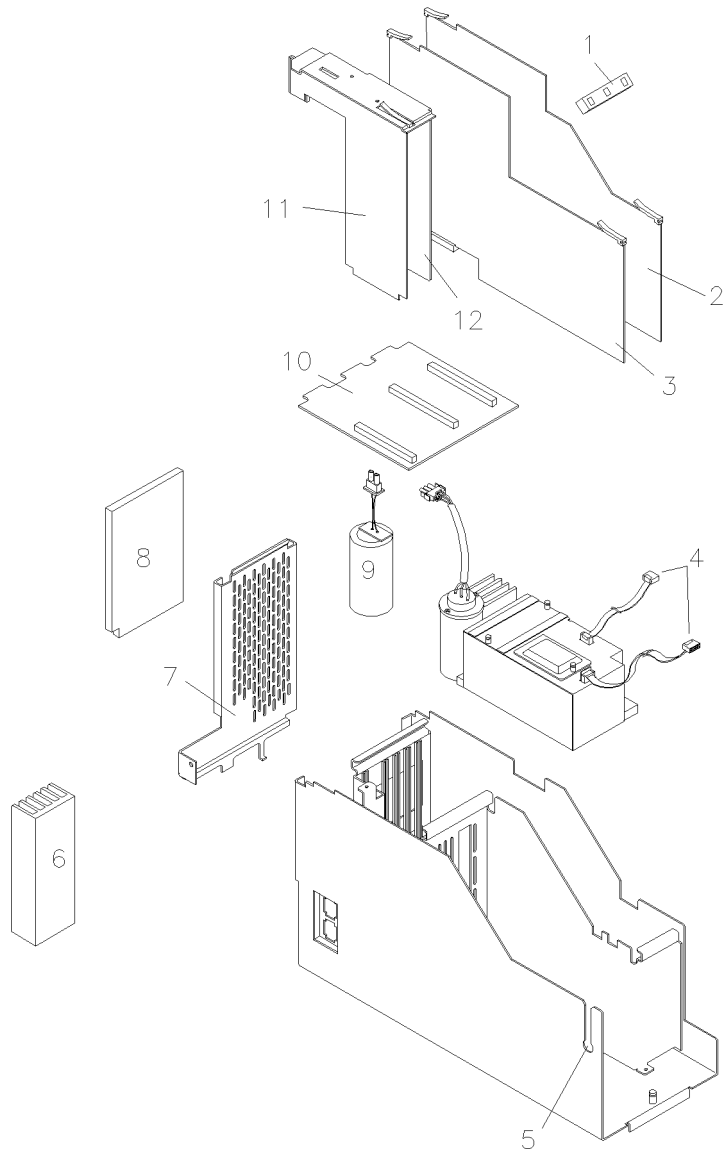


Figure 49-1. FPD Module Mainframe